

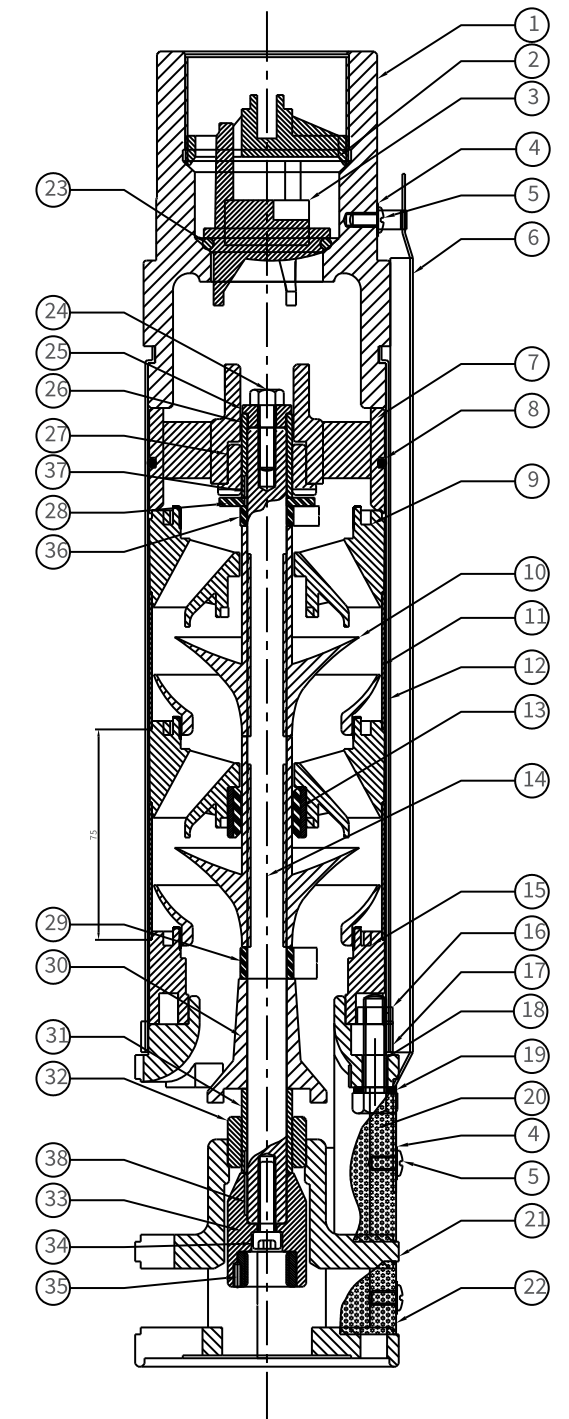
## 4RPM 440C SERIES PUMP DESIGN

### Product advantages and specification

- High level of performance & mechanically built-up to last long and provide uninterrupted service.
- Suction and discharge outlets are made of cast iron with nickel coating & with a look of steel finish. These are also available in Stainless Steel on request:
- Impellers and diffusers are made of resin impregnated thermoplastic. These materials ensure high performance and longer life.
- Pump casing is of PPO 20%GF & Cast Iron.
- Pump shaft is of Stainless Steel.
- Hexagonal bearing bush and Stainless Steel sleeves with hard chrome help in withstanding wear resistance against sand.
- Efficiently designed NRV guarantees trouble free service even in most critical applications.
- Cable guard and strainer of Stainless Steel.
- Pumps are available in mixed flow designs.
- Pumps & Motor couplings are according to NEMA Standard:
- Operating Range  
Head range : 8 mtr to 112 mtr  
Flow rate : 35 lpm to 500 lpm  
Immersion : 1 meter minimum
- Minimum level of sand content: 50 gm/m<sup>3</sup>
- Application : These pumps are for domestic, agriculture & industrial usage.

### Material Specification

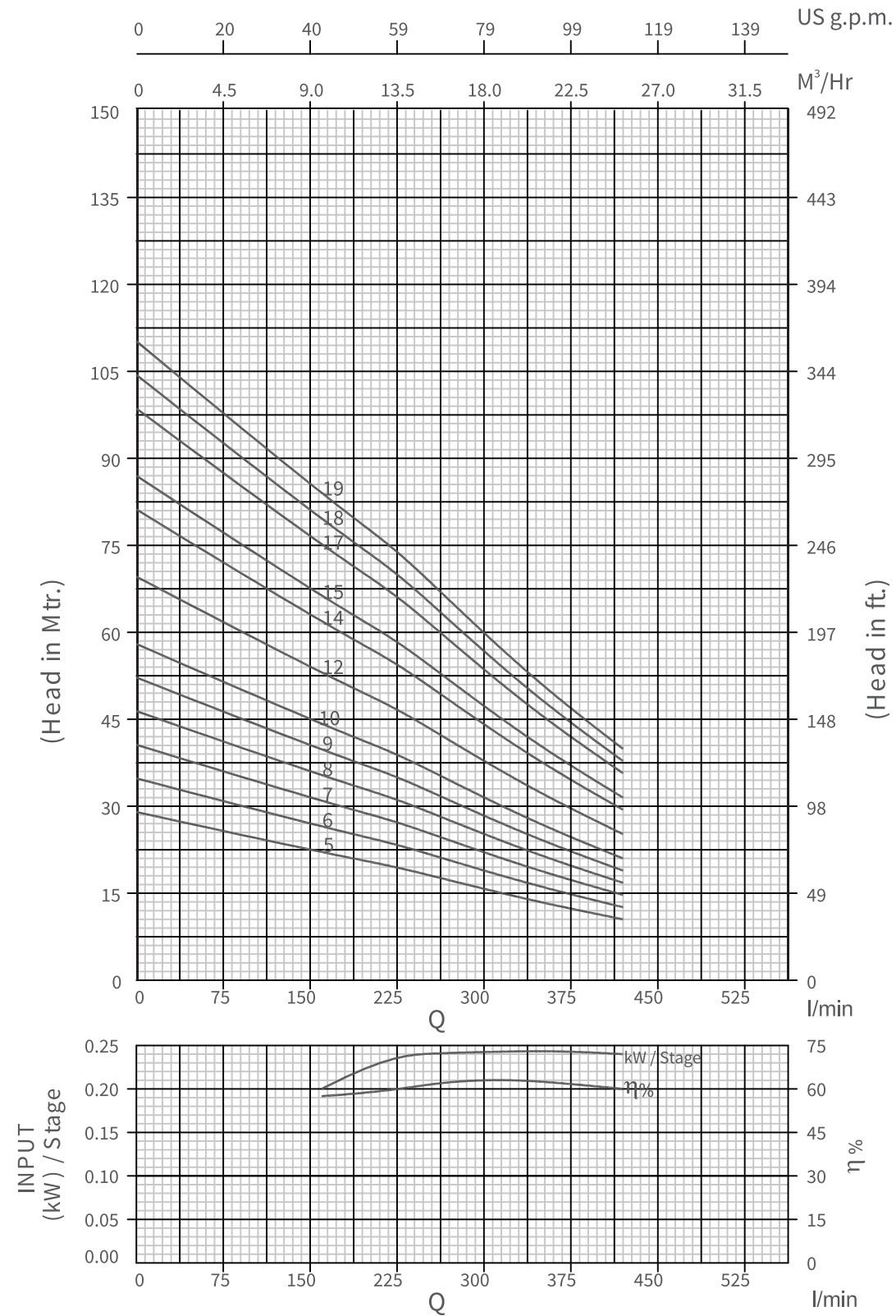
NO	PART NAME	MATERIAL	QTY
1	N.R.V. 2"	C.I.(F.G.200)	01
2	N.R.V. THREAD RING	P.P.O (20% G.F)	01
3	N.R.V CONE	NYLON	01
4	WAHSER	S.S.304	04
5	SCREW	S.S.304	04
6	CABLE GUARD	S.S. 202	01
7	D.O.L	P.P.O (20% G.F)	01
8	D.O.L 'O' RING	N.B.R	01
9	BOWL	P.P.O (20% G.F)	1/ST
10	IMPELLER	P.P.O (20% G.F)	1/ST
11	BOWL PIPE	S.S.202	1/ST
12	PUMP PIPE	S.S. 202	01
13	METAL RUBBER BUSH	M.S/ N.B.R	01
14	PUMP SHAFT	S.S.410	01
15	SUCTION PLATE	P.P.O (20% G.F)	01
16	S.Q NUT	S.S.304	04
17	SPOT RING	S.S.202	01
18	HEX BOLT(SUCTION SIDE)	S.S.304	04
19	SPRING WASHER	SPRING STEEL	04
20	STRAINER	S.S.202	01
21	SUCTION	C.I.(F.G.200)	01
22	STRAINER	S.S.202	01
23	N.R.V CONE 'O' RING	N.B.R	01
24	HEX BOLT(TOP SIDE)	S.S.304	01
25	TOP COLLER	S.S.410	01
26	TOP SLEEVE(WITH H/C)	S.S.410	01
27	C.T. BEARING BUSH	L.T.B 4 (2%NI)	01
28	THRUST PLATE	S.S.202	01
29	DISTANCE SLEEVE	P.P.O (20% G.F)	01
30	DISTANCE SLEEVE	P.P.O (20% G.F)	01
31	SLEEVE (SUCTION)	S.S.410	01
32	BUSH(SUCTION)	L.T.B 4 (2%NI)	01
33	COUPLING(EXPORT)	S.S.304	01
34	ALLEN BOLT	S.S.304	01
35	GRUB SCREW	S.S.304	01
36	TOP SLEEVE	P.P.O (20% G.F)	01
37	KEY	S.S.410	01
38	KEY	S.S.410	01



# Performance Curves

## 4RPM 440C, 50Hz

ISO 9906 Annexure A



# Performance Chart

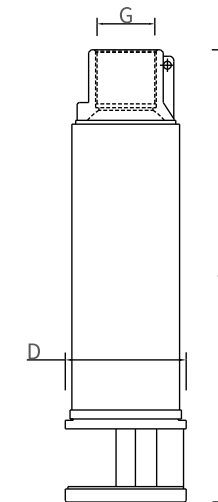
## 4RPM 440C, 50Hz

ISO 9906 Annexure A

Model Name		Rating			Discharge							
Single Phase	Three Phase	Stage	kW	HP	l/min m <sup>3</sup> /h	0	160	215	255	315	370	420

Model Name	Model Name	Stage	kW	HP	HEAD IN Mtrs.	29	22	20	18	15	12	10
4RPM 440C-05	4RPM 440C-05	5	1.50	2.00		35	26	24	22	18	15	13
4RPM 440C-06	4RPM 440C-06	6	1.50	2.00		41	31	28	25	21	18	15
4RPM 440C-07	4RPM 440C-07	7	2.20	3.00		46	35	32	29	24	20	17
4RPM 440C-08	4RPM 440C-08	8	2.20	3.00		52	40	36	32	27	22	19
	4RPM 440C-09	9	3.00	4.00		58	44	40	36	30	25	21
	4RPM 440C-10	10	3.00	4.00		70	53	48	43	36	30	25
	4RPM 440C-12	12	4.00	5.50		81	62	56	50	42	35	29
	4RPM 440C-14	14	4.50	6.00		87	66	60	54	45	38	31
	4RPM 440C-15	15	4.50	6.00		99	75	68	61	51	42	36
	4RPM 440C-17	17	5.50	7.50		104	79	72	65	54	45	38
	4RPM 440C-18	18	5.50	7.50		110	84	76	68	57	48	40
	4RPM 440C-19	19	5.50	7.50								

## Dimensions & Weights



Model name	Specification		
	D	L	G
4RPM-440C-05	98	694	50
4RPM-440C-06	98	769	50
4RPM-440C-07	98	844	50
4RPM-440C-08	98	919	50
4RPM-440C-09	98	994	50
4RPM-440C-10	98	1069	50
4RPM-440C-12	98	1219	50
4RPM-440C-14	98	1369	50
4RPM-440C-15	98	1519	50
4RPM-440C-17	98	1594	50
4RPM-440C-18	98	1669	50
4RPM-440C-19	98	1744	50

\*G: Available Outlet Size 2"  
\*D: With Cable Guard

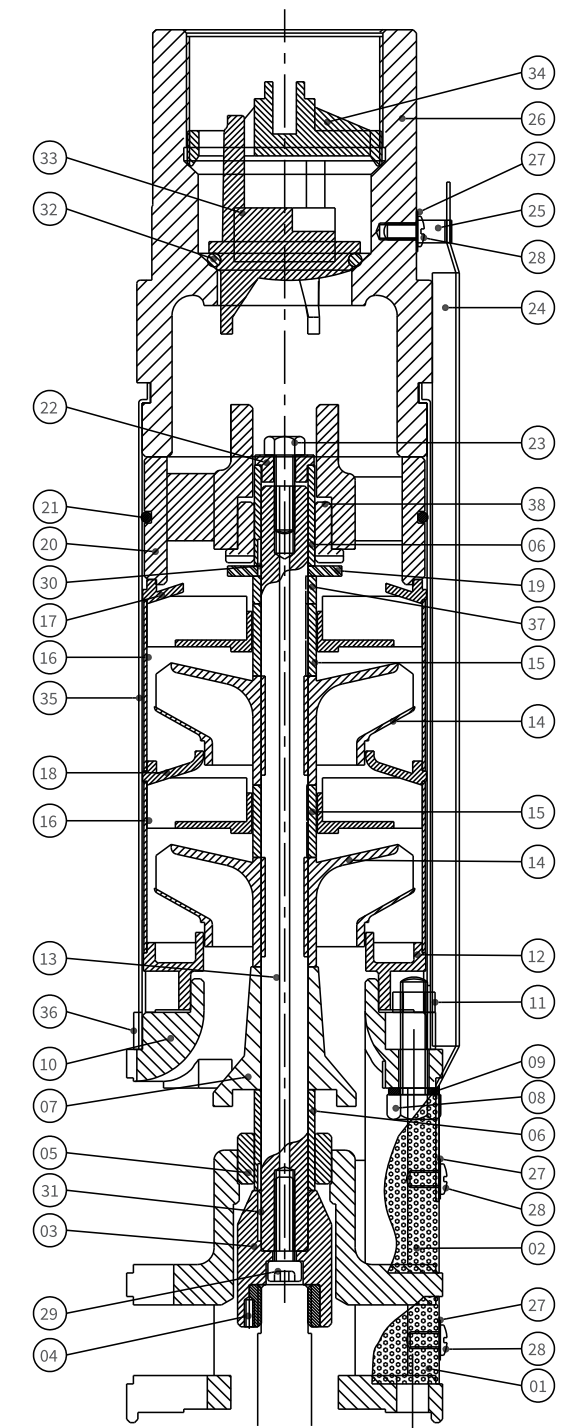
## 4RPM 470 SERIES PUMP DESIGN

### Product advantages and specification

- High level of performance & mechanically built-up to last long and provide uninterrupted service.
- Suction and discharge outlets are made of cast iron with nickel coating & with a look of steel finish. These are also available in Stainless Steel on request:
- Impellers and diffusers are made of resin impregnated thermoplastic. These materials ensure high performance and longer life.
- Pump casing is of PPO 20%GF & Cast Iron.
- Pump shaft is of Stainless Steel.
- Hexagonal bearing bush and Stainless Steel sleeves with hard chrome help in withstanding wear resistance against sand.
- Efficiently designed NRV guarantees trouble free service even in most critical applications.
- Cable guard and strainer of Stainless Steel.
- Pumps are available in mixed flow designs.
- Pumps & Motor couplings are according to NEMA Standard:
- Operating Range  
Head range : 8 mtr to 112 mtr  
Flow rate : 35 lpm to 500 lpm  
Immersion : 1 meter minimum
- Minimum level of sand content: 50 gm/m<sup>3</sup>
- Application : These pumps are for domestic, agriculture & industrial usage.

### Material Specification

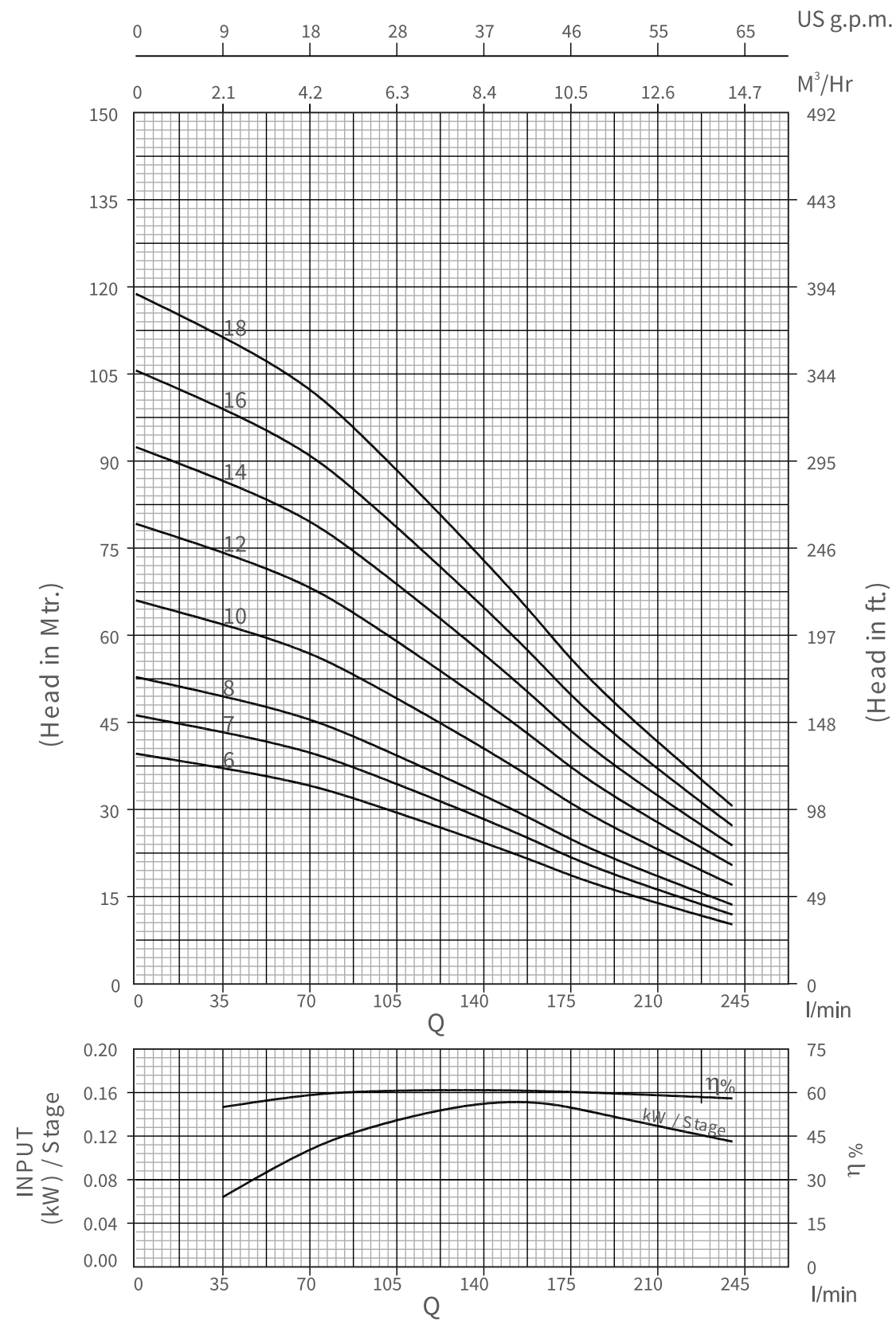
NO	DESCRIPTION	MATERIAL	QTY
1	STRAINER	S.S.202	01
2	STRAINER	S.S.202	01
3	COUPLING	S.S.304	01
4	GRUB SCREW	S.S.304	01
5	SUCTION BUSH	L.T.B.4(2%NI)	01
6	SLEEVE(H/C)	S.S.410	02
7	DISTANCE SLEEVE	P.P.O.(20%G.F.)	01
8	HEX BOLT	S.S.304	04
9	SPRING WASHER	S.S.304	04
10	SUCTION (EXPORT)	C.I.(F.G.200)	01
11	SQUARE NUT	S.S.304	04
12	SUCTION PLATE	P.P.O.(20%G.F.)	01
13	PUMP SHAFT	S.S.410	01
14	IMPELLER	P.P.O.(20%G.F.)	1/ST
15	SLEEVE	P.P.O.(20%G.F.)	1/ST
16	BOWL PIPE	S.S.202	1/ST
17	TOP BOWL	P.P.O.(20%G.F.)	01
18	BOWL	P.P.O.(20%G.F.)	1/ST-1
19	THRUST PLATE	S.S. 202	01
20	D.O.L	P.P.O.(20%G.F.)	01
21	D.O.L 'O' RING	NITRILE RUBBER	01
22	TOP COLLAR	S.S.410	01
23	HEX BOLT	S.S.304	01
24	CABLE GUARD	S.S.202	01
25	CABLE CLIP	S.S.202	01
26	N.R.V.	C.I.(F.G.200)	01
27	WASHER	BRASS	04
28	SCREW	S.S.304	04
29	ALLEN BOLT	S.S.304	01
30	KEY	S.S.410	01
31	KEY	S.S.304	01
32	N.R.V.CONE 'O' RING	NITRILE RUBBER	01
33	N.R.V.CONE	NYLON	01
34	N.R.V. THREAD RING	P.P.O.(20%G.F.)	01
35	PUMP PIPE	S.S.202	01
36	SPOT RING	S.S.202	01
37	TOP SLEEVE	P.P.O.(20%G.F.)	01
38	C.T. BEARING BUSH	L.T.B.4(2%NI)	01



# Performance Curves

## 4RPM 470, 50Hz

ISO 9906 Annexure A



# Performance Chart

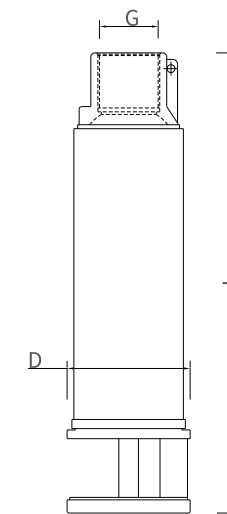
## 4RPM 470, 50Hz

ISO 9906 Annexure A

Model Name		Rating		Discharge									
Single Phase	Three Phase	Stage	kW	HP	l/min m³/h	0	35	65	85	135	165	185	240

Model Name	Model Name	Stage	kW	HP	HEAD IN Mtrs.	40	37	35	32	25	20	17	10
4RPM 470-06	4RPM 470-06	6	1.10	1.50		40	37	35	32	25	20	17	10
4RPM 470-07	4RPM 470-07	7	1.10	1.50		46	43	41	38	29	24	20	12
4RPM 470-08	4RPM 470-08	8	1.50	2.00		53	50	46	43	34	27	22	14
4RPM 470-10	4RPM 470-10	10	2.20	3.00		66	62	58	54	42	34	28	17
4RPM 470-12	4RPM 470-12	12	2.20	3.00		79	74	70	65	50	41	34	20
	4RPM 470-14	14	3.00	4.00		92	87	81	76	59	48	39	24
	4RPM 470-16	16	4.00	5.50		106	99	93	86	67	54	45	27
	4RPM 470-18	18	4.00	5.50		119	112	104	97	75	61	50	31

## Dimensions & Weights



Model name	Specification		
	D	L	G
4RPM-470-06	98	630	50
4RPM-470-07	98	684	50
4RPM-470-08	98	738	50
4RPM-470-10	98	846	50
4RPM-470-12	98	954	50
4RPM-470-14	98	1062	50
4RPM-470-16	98	1170	50
4RPM-470-18	98	1278	50

\*G: Available Outlet Size 2"  
\*D: With Cable Guard

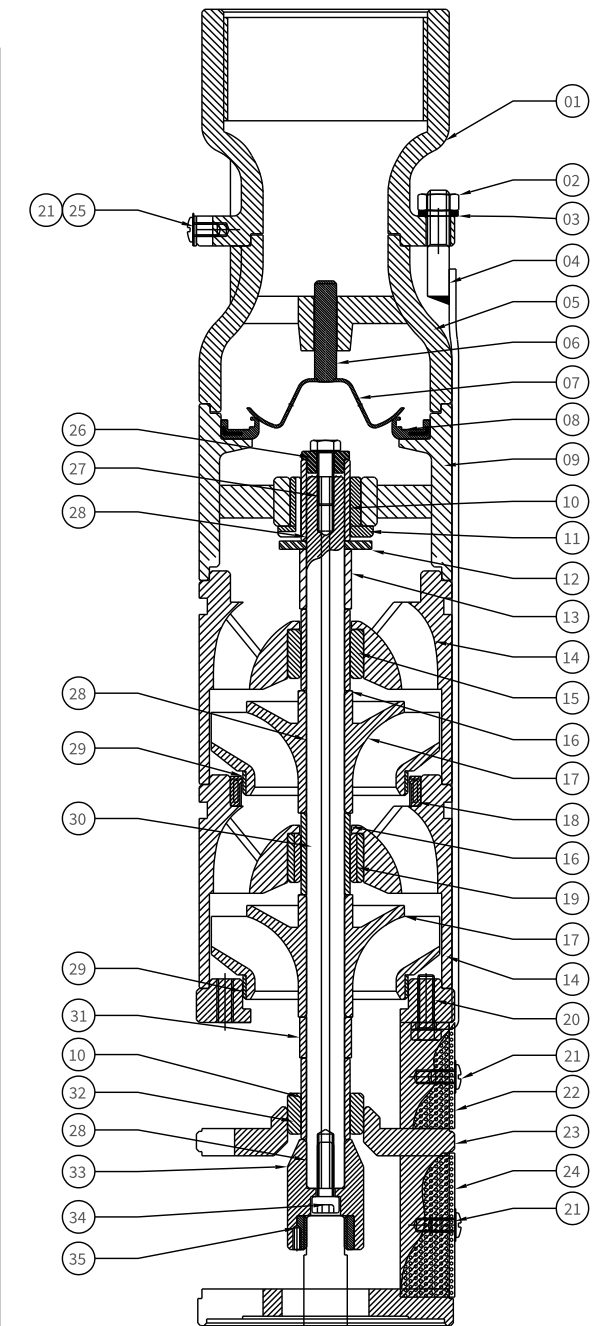
## 4RPM 490 SERIES PUMP DESIGN

### Product advantages and specification

- High level of performance & mechanically built-up to last long and provide uninterrupted service.
- Suction and discharge outlets are made of cast iron with nickel coating & with a look of steel finish. These are also available in Stainless Steel on request:
- Impellers and diffusers are made of resin impregnated thermoplastic. These materials ensure high performance and longer life.
- Pump casing is of PPO 20%GF & Cast Iron.
- Pump shaft is of Stainless Steel.
- Hexagonal bearing bush and Stainless Steel sleeves with hard chrome help in withstanding wear resistance against sand.
- Efficiently designed NRV guarantees trouble free service even in most critical applications.
- Cable guard and strainer of Stainless Steel.
- Pumps are available in mixed flow designs.
- Pumps & Motor couplings are according to NEMA Standard:
- Operating Range  
 Head range : 8 mtr to 112 mtr  
 Flow rate : 35 lpm to 500 lpm  
 Immersion : 1 meter minimum
- Minimum level of sand content: 50 gm/m<sup>3</sup>
- Application : These pumps are for domestic, agriculture & industrial usage.

### Material Specification

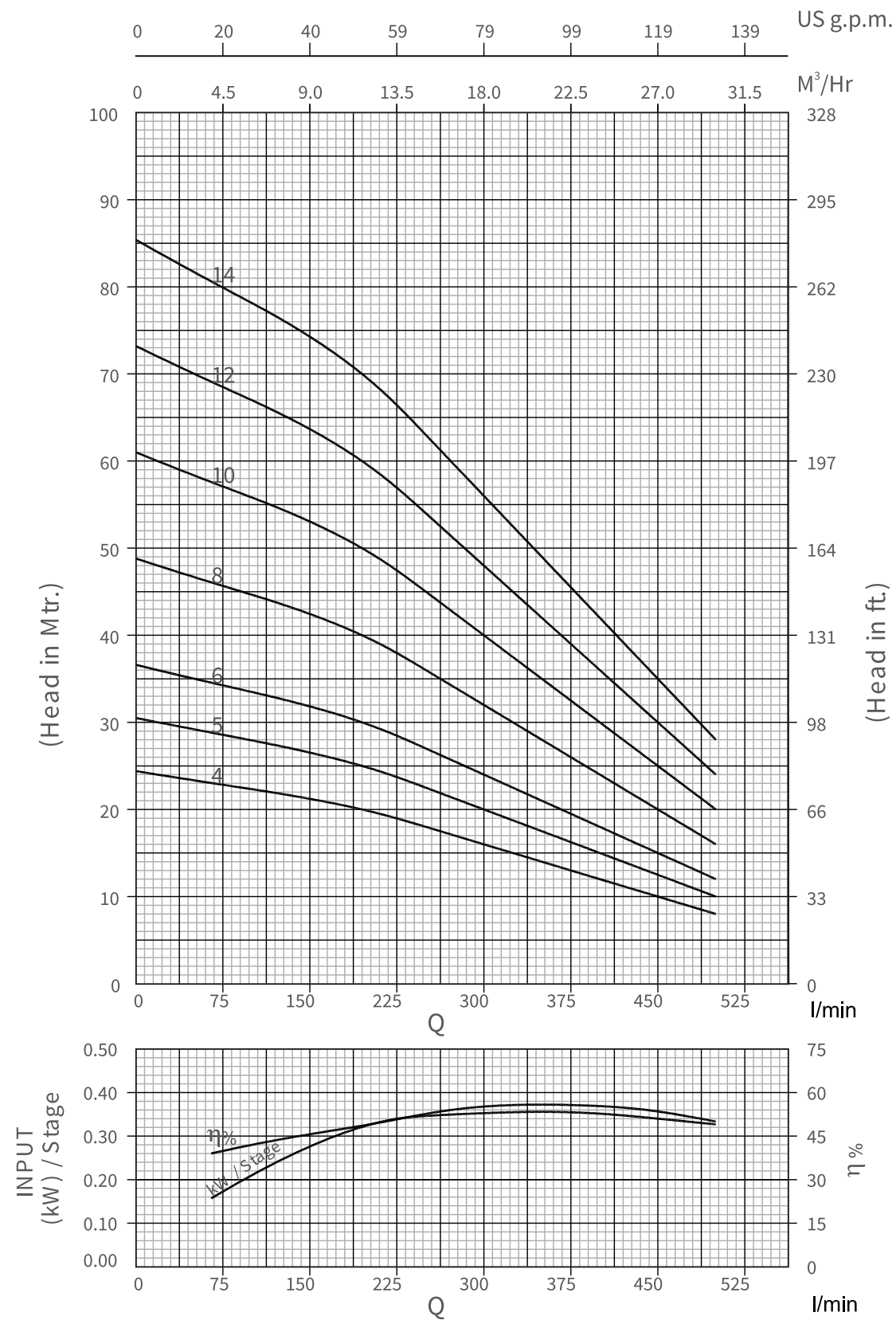
NO	PART NAME	MATERIAL	QTY.
1	N.R.V PART-1	C.I (F.G-200)	01
1	N.R.V PART-1	C.I (F.G-200)	01
2	HEX NUT (USE FOR PUMP PATTI)	S.S.304	04
3	WASHER (USE FOR PUMP PATTI)	S.S.304	04
4	PUMP PATTI	S.S.304	04
5	N.R.V WITH CONE PART-2	C.I (F.G-200)	01
6	N.R.V CONE STUD	S.S.410	01
7	N.R.V CONE	S.S.304	01
8	RUBBER NECKRING (FOR D.O.L)	N.B.R/M.S	01
9	D.O.L	C.I (F.G-200)	01
10	D.O.L SLEEVE	S.S.410	01
10	SLEEVE (SUCTION PLATE)	S.S.410	01
11	C.T BEARING BUSH (USE FOR D.O.L)	L.T.B-4 2% NI	01
12	THRUST PLATE	S.S.202	01
13	DISTANCE SLEEVE (TOP SIDE)	NYLON	01
14	BOWL	C.I (F.G-200)	1/ST
15	BEARING BUSH	L.T.B-4 2% NI	1/ST
16	BOWL SLEEVE	S.S.410	1/ST
17	REGULAR IMPELLER	S.S.410	1/ST
18	BOWL NECKRING	N.B.R/M.S	1/ST
19	RUBBER MATEL BUSH	N.B.R/M.S	1/ST
20	HEX BOLT (USE FOR PUMP PATTI)	S.S.304	04
21	SCREW	S.S.304	04
21	SCREW WASHER	S.S.304	04
22	STRAINER-1	S.S.202	01
23	SUCTION	C.I (F.G-200)	01
24	STRAINER-2	S.S.202	01
25	CABLE CLIP	S.S.202	01
26	TOP COLLER	S.S.410	01
27	HEX BOLT (TOP SIDE)	S.S.304	01
28	KEY (TOP SLEEVE)	S.S.410	01
28	KEY (BOTTOM SLEEVE)	S.S.410	01
28	KEY (IMPELLER)	S.S.410	/ST
29	IMPELLER NECKRING	S.S.202	01/ST
30	PUMP SHAFT	S.S.410	01
31	DISTANCE SLEEVE (SUCTION SIDE)	P.P.O (20% G.F)	01
32	BEARING BUSH (FOR SUCTION)	L.T.B-4 2% NI	01
33	COUPLING	S.S.304	01
34	ALLEN BOLT	S.S.304	01
35	GRUB SCREW	S.S.304	01



# Performance Curves

## 4RPM 490, 50Hz

ISO 9906 Annexure A



# Performance Chart

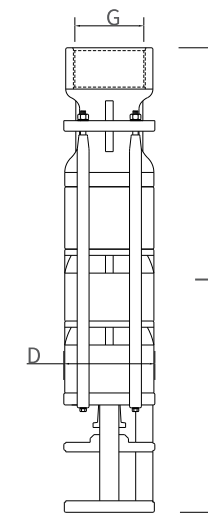
## 4RPM 490, 50Hz

ISO 9906 Annexure A

Model Name		Rating		Discharge											
Single Phase	Three Phase	Stage	kW	HP	l/min m³/h	0	65	120	200	250	300	350	400	450	500

4RPM 490-04	4RPM 490-04	4	2.20	3.00	HEAD IN Mtrs.	24	23	22	20	18	16	14	12	10	8
4RPM 490-05	4RPM 490-05	5	2.20	3.00		30	29	28	25	22	20	18	15	12	10
4RPM 490-06	4RPM 490-06	6	2.20	3.00		37	34	33	30	27	24	21	18	15	12
	4RPM 490-08	8	3.00	4.00		49	46	44	40	36	32	28	24	20	16
	4RPM 490-10	10	4.00	5.50		61	58	55	50	45	40	35	30	25	20
	4RPM 490-12	12	4.50	6.00		73	69	66	60	54	48	42	36	30	24
	4RPM 490-14	14	5.50	7.50		85	80	77	70	63	56	49	42	35	28

## Dimensions & Weights



Model name	Specification			
	STAGE	D	L	G
4RPM-490-04	04	98	635	65
4RPM-490-05	05	98	710	65
4RPM-490-06	06	98	785	65
4RPM-490-08	08	98	935	65
4RPM-490-10	10	98	1085	65
4RPM-490-12	12	98	1235	65
4RPM-490-14	14	98	1385	65

\*G: Available Outlet Size 2" & 2.5"

\*D: With Cable Guard