

TECHNICAL SPECIFICATIONS:

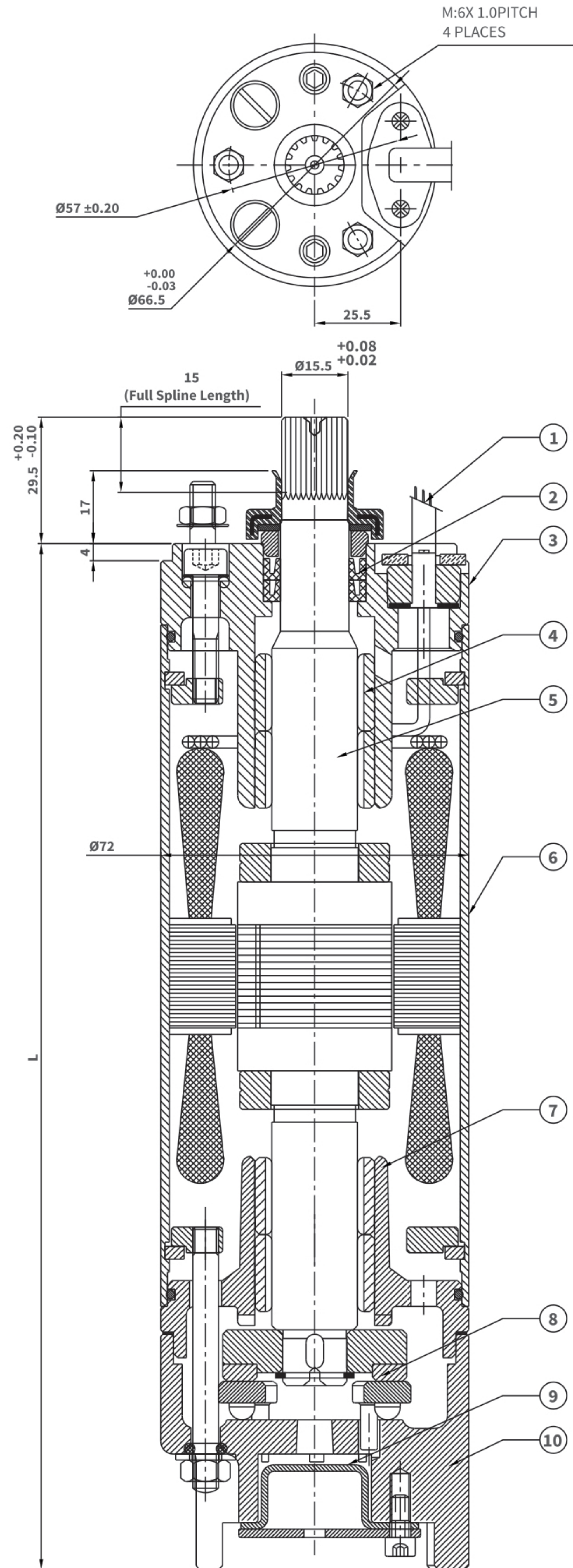
- 3" RAINDROP Water lubricated Motors are rewindable.
- Winding wire: Polywrapped.
- Degree of protection : IP68.
- Max water temperature : 35° C.
- Start per hour: 30 times (Max.).
- Allowable voltage variation: +6% -10%.
- Motor shaft of Stainless Steel.
- Stator shell of Stainless Steel.
- Max depth immersion : 100 M.
- Mounting : vertical / horizontal.
- Upper / Lower bracket in Cast Iron with Epoxy Paint.
- Single Phase Motors are Capacitor start and run.
- Motor Cable length : 3 Meter (3 Core / earth wire separate on demand).
- Coolant : Clear Water.

VERSIONS:

Single Phase : 0.37 kW to 1.10 kW , 220 - 230Volt / 50 Hz.
Motors with other Voltage and frequency ratings are available on specific demand.

Submersible Motor

3" WATER LUBRICATED SUBMERSIBLE MOTORS (RE-WINDABLE)



SR NO.	PART'S NAME	MATERIAL
01	CABLE 3 CORE	EPR
02	OIL SEAL	N.B.R
03	UPPER HOUSING	CAST IRON
04	BEARING BUSH	L.T.B-4(2%NI)
05	ROTOR SHAFT	S.S.420
06	MOTOR PIPE	STAINLESS STEEL
07	LOWER HOUSING	CAST IRON
08	THRUST BEARING	CARBON
09	PRESSURE CUP	N.B.R
10	MOTOR BASE	CAST IRON
11	ALL HARDWARE	S.S.316

PN		S.P. L [mm]	Motor Weight [kg]	Motor Weight (incl.pkg)[kg]
[kw]	[h.p.]			
0.37	0.50	305	8.50	9.50
0.55	0.75	445	9.50	10.5
0.75	1.00	515	11.0	12.0
0.75	1.00	535		
0.94	1.25	500		
1.10	1.50	515	11.0	12.0
1.10	1.50	535		

CSCR Performance Data of Single Phase Motors (220-230 Volt / 50 Hz)

PN		Thrust Load [N]	UN [V]	nN [min-1]	IN [A]	IA [A]	η (Eff.) [%] at % load			cos φ (PF) at % load			TN [Nm]	TA [Nm]	Capacitor Running μF (Uc=450V)	Capacitor Starting μF (Uc=270V)
[H.P.]	[kW]						50	75	100	50	75	100				
0.50	0.37						1500	220	2870	4.20	8.00	34				
			230	2880	4.70	8.40	33	34	35	0.88	0.90	0.92	1.20	2.00		
0.75	0.55	1500	220	2870	5.20	13.20	36	39	41	0.84	0.86	0.88	1.80	2.70	36	100-120
			230	2880	6.00	13.70	35	37	39	0.81	0.83	0.85	1.80	2.70		
1.00	0.75	1500	220	2850	7.00	16.10	48	49	51	0.75	0.77	0.78	2.46	4.00	61	100-120
			230	2860	8.50	16.80	46	47	50	0.73	0.74	0.75	2.46	4.00		
1.50	1.10	1500	220	2790	8.50	16.10	53	55	56	0.77	0.79	0.85	3.78	6.00	61	100-120
			230	2800	9.00	16.80	51	53	55	0.76	0.78	0.83	3.76	6.00		

CSR Performance Data of Single Phase Motors (220-230 Volt / 50 Hz)

PN		Thrust Load [N]	UN [V]	nN [min-1]	IN [A]	IA [A]	η (Eff.) [%] at % load			cos φ (PF) at % load			TN [Nm]	TA [Nm]	Capacitor Running μF (Uc=450V)
[H.P.]	[kW]						50	75	100	50	75	100			
0.50	0.37						1500	220	2870	4.20	8.00	34			
			230	2880	4.70	8.40	33	34	35	0.88	0.90	0.92	1.20	1.00	
0.75	0.55	1500	220	2870	5.20	13.20	36	39	41	0.84	0.86	0.88	1.80	1.24	36
			230	2880	6.00	13.70	35	37	39	0.81	0.83	0.85	1.80	1.37	
1.00	0.75	1500	220	2850	7.00	16.10	48	49	51	0.75	0.77	0.78	2.46	1.99	61
			230	2860	8.50	16.80	46	47	50	0.73	0.74	0.75	2.46	2.19	
1.50	1.10	1500	220	2790	8.50	16.10	53	55	56	0.77	0.79	0.85	3.78	2.87	61
			230	2800	9.00	16.80	51	53	55	0.76	0.78	0.83	3.76	3.15	

- PN - Rated Output
- F[N] - Axial Thrust Load
- UN - Rated Voltage
- nN - RPM
- IN - Full Load Current
- IA - Starting Current
- η - Motor Efficiency
- cosφ - Power Factor
- TN - Full Load Torque
- TA - Starting Torque

Submersible Motor

Performance Data of 3" Rewindable Single Phase (W/L) Motors / 60 Hz (CSR)

PN		Thrust Load [N]	UN [V]	nN [min-1]	IN [A]	IA [A]	η (Eff.) [%] at % load			cos φ (PF) at % load			TN [Nm]	TA [Nm]	Capacitor Running μF (Uc=450V)
[H.P.]	[kW]						50	75	100	50	75	100			
0.5	0.37	1500	230	3440	5	13	38	43	44	0.74	0.76	0.78	1.02	0.85	36
0.75	0.55	1500	230	3440	7	18.5	48	49	50	0.74	0.78	0.80	1.53	1.16	36
1.0	0.75	1500	230	3450	9.5	24	48	50	52	0.75	0.79	0.81	2.04	1.79	61
1.5	1.1	1500	230	3450	14	50	50	52	54	0.75	0.77	0.80	3.06	2.57	61

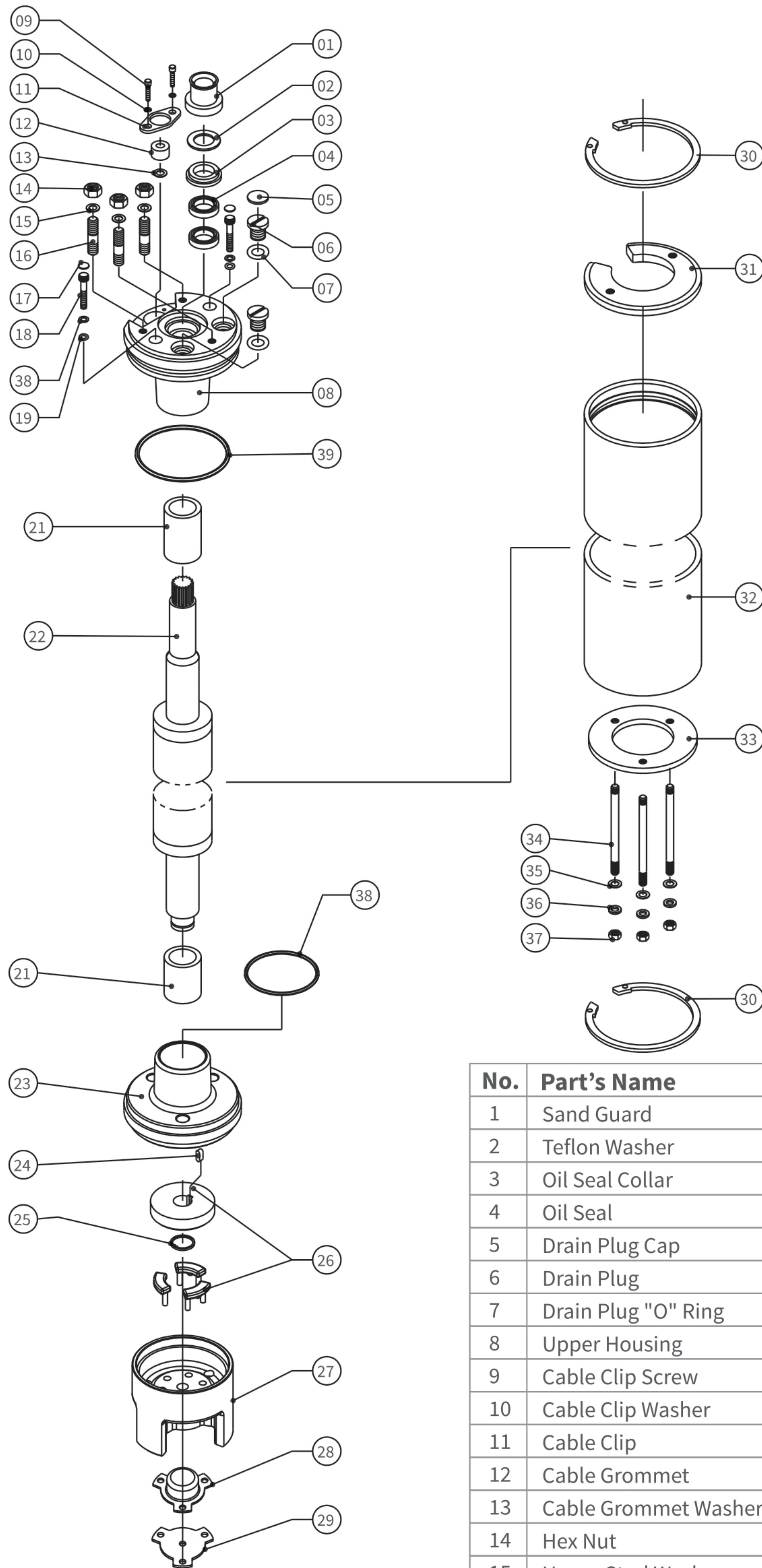
- PN - Rated Output
- F[N] - Axial Thrust Load
- UN - Rated Voltage
- nN - RPM
- IN - Full Load Current
- IA - Starting Current
- η - Motor Efficiency
- cosφ - Power Factor
- TN - Full Load Torque
- TA - Starting Torque

Performance Data of 3" Rewindable Single Phase (W/L) Motors / 60 Hz (CSCR)

PN		Thrust Load [N]	UN [V]	nN [min-1]	IN [A]	IA [A]	η (Eff.) [%] at % load			cos φ (PF) at % load			TN [Nm]	TA [Nm]	Capacitor Running μF (Uc=450V)	Capacitor Starting μF (Uc=270V)
[H.P.]	[kW]						50	75	100	50	75	100				
0.5	0.37	1500	230	3440	5	13	38	43	44	0.74	0.76	0.78	1.02	1.69	36	100-120
0.75	0.55	1500	230	3440	7	18.5	48	49	50	0.74	0.78	0.80	1.53	2.30	36	100-120
1.0	0.75	1500	230	3450	9.5	24	48	50	52	0.75	0.79	0.81	2.04	3.32	61	100-120
1.5	1.1	1500	230	3450	14	50	50	52	54	0.75	0.77	0.80	3.06	4.9	61	100-120

- PN - Rated Output
- F[N] - Axial Thrust Load
- UN - Rated Voltage
- nN - RPM
- IN - Full Load Current
- IA - Starting Current
- η - Motor Efficiency
- cosφ - Power Factor
- TN - Full Load Torque
- TA - Starting Torque

Exploded View of Spare Parts of Motors



No.	Part's Name
1	Sand Guard
2	Teflon Washer
3	Oil Seal Collar
4	Oil Seal
5	Drain Plug Cap
6	Drain Plug
7	Drain Plug "O" Ring
8	Upper Housing
9	Cable Clip Screw
10	Cable Clip Washer
11	Cable Clip
12	Cable Grommet
13	Cable Grommet Washer
14	Hex Nut
15	Upper Stud Washer
16	Upper Stud
17	Allen Bolt Cap
18	Allen Bolt
19	Allen Bolt "O" Ring

No.	Part's Name
20	Hex Nut
21	Bearing Bush
22	Rotor Shaft
23	Lower Housing
24	Key
25	Circlip (external)
26	Thrust Bearing Pad Set
27	Motor Base
28	Pressure Cup
29	Motor Base Plate
30	Cir clip
31	Upper Flange
32	Finish Stator Body
33	Lower Flange
34	Stud
35	Stud Washer
36	Stud "o"- Ring
37	Allen Bolt Copper Washer
38	Upper & Lower "o" Ring