

## TECHNICAL SPECIFICATIONS:

---

- 10" RAINDROP Water Lubricated Submersible Motors are rewindable.
- Coupling dimensions: 8" NEMA standard.
- Winding wire: PVC winding
- Degree of protection : IP68.
- Max water temperature : 35°C.
- Starts per hour : 20 time (Max.).
- Allowable voltage variation : +6% - 10%.
- Motor shaft of Stainless steel.
- Stator shell of Stainless steel.
- Max depth immersion : 350 M.
- Mounting : vertical
- Motor Cable length : 3 Meter / 3 Core with separate earth cable.
- Cooling Flow : V:0.2 M/S.
- Coolant : Clear Water.

## VERSIONS:

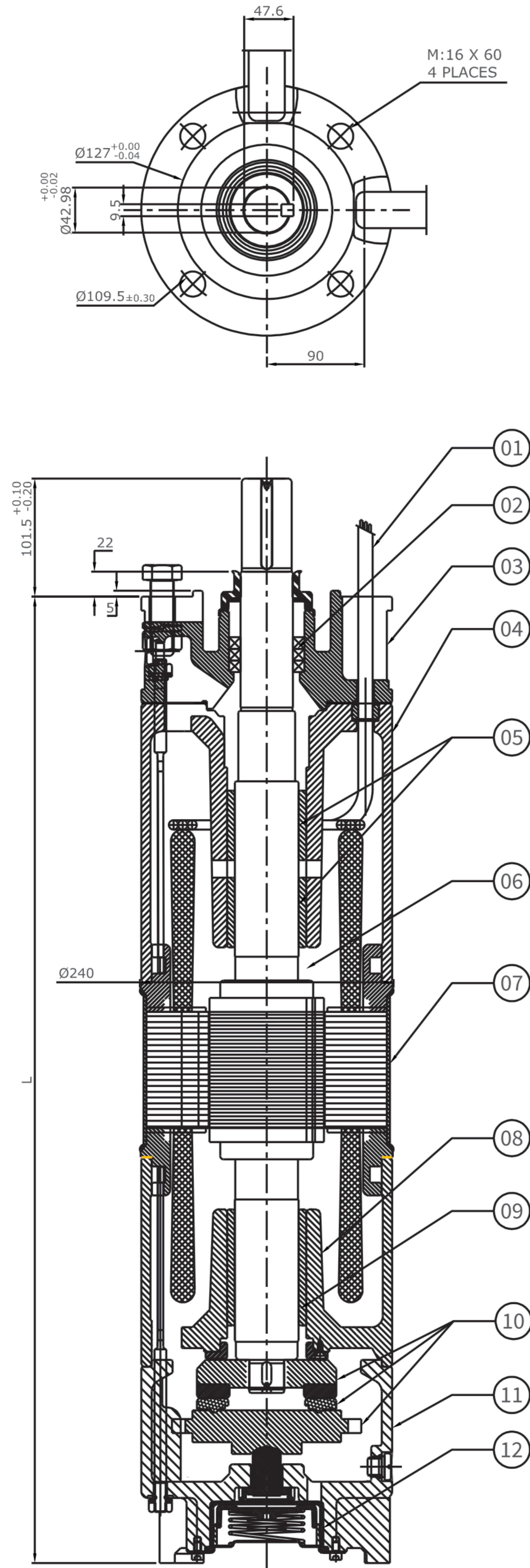
---

Three Phase: 110 kw to 150 kw / 380-415 Volt /50 Hz

Motor With Other Voltage and frequency ratings are available on specific Demand.

# Submersible Motor

## 10" SUBMERSIBLE MOTORS (RE-WINDABLE)



## 10" Rewindable Motor Design

SR NO.	PART'S NAME	MATERIAL
01	CABLE 3 CORE /4 CORE	EPR
02	OIL SEAL	N.B.R
03	ADAPTOR	CI.(FG-200)
04	UPPER HOUSING	CI.(FG-200)
05	BEARING BUSH	CARBON
06	ROTOR SHAFT	S.S.420
07	MOTOR PIPE	STAINLESS STEEL
08	LOWER HOUSING	CI.(FG-200)
09	BEARING BUSH	CARBON
10	THRUST BEARING SET	CARBON / S.S.410
11	MOTOR BASE	CI.(FG-200)
12	PRESSURE CUP	N.B.R
13	ALL HARDWARE	S.S.316

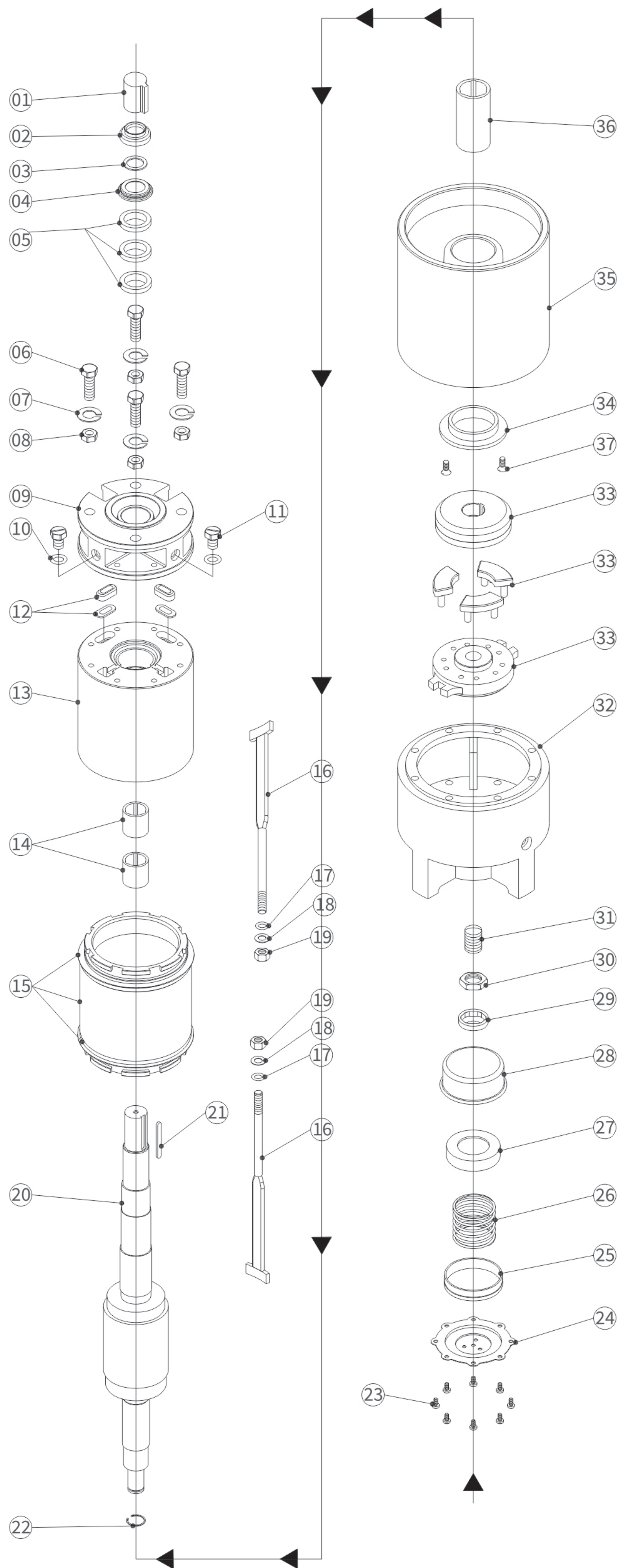
\*available Motor Rating :- 115 H.p,150 H.p,180 H.p,200 H.p

## Performance Data of 10" Standard Rewindable Submersible Motors / 50 Hz

PN		Thrust Load [N]	UN [V]	nN [min-1]	IN [A]	IA [A]	η(Eff.) [%] at % load			COS φ (PF) At % load			TN [Nm]	TA [Nm]
[H.P.]	[kW]						50	75	100	50	75	100		
150	110						60 000	380	2905	236	1096	85		
		400	2915	231	1157	85		87	85	0.65	0.77	0.83	359	468
		415	2920	232	1205	83		84	86	0.60	0.71	0.80	359	508
180	130	60 000	380	2900	267	1272	87	87	86	0.80	0.84	0.88	427	488
			400	2915	255	1343	88	89	89	0.75	0.82	0.86	424	547
			415	2920	254	1399	88	89	88	0.70	0.77	0.84	424	593
200	150	60 000	380	2910	306	1501	88	88	87	0.80	0.84	0.87	491	569
			400	2915	297	1589	85	87	86	0.75	0.82	0.87	490	636
			415	2930	295	1654	87	88	88	0.70	0.78	0.84	489	690

- PN - Rated Output
- UN - Rated Voltage
- nN - RPM
- IN - Full Load Current
- IA - Starting Current
- η - Motor Efficiency
- cosφ - Power Factor
- TN - Full Load Torque
- TA - Starting Torque
- F[N] - Axial Thrust Load

## Exploded View of Spare Parts of Motors



No.	Part's Name
01	Rotor Cap
02	Sand Guard
03	Teflon Washer
04	Upper Cap
05	Oil Seal
06	Hex Bolt
07	Spring Washer
08	Hex Nut
09	Adapter
10	Drain Plug 'o' Ring
11	Drain Plug
12	Grommet & Washer
13	Upper Housing
14	Bearing Bush
15	Stator Body Finish Flange (use For Upper & Lower Side)
16	T-bolt(upper Side ) T-bolt(lower Side )
17	T-bolt 'o'ring
18	T-bolt Washer
19	Nylock Nut
20	Rotor Finish
21	Cir Clip( Use For Rotor)
22	Key (use For Coupling Side)
23	Slotted Roundhead Screw
24	Motor Base Plate
25	Spring Jacket-1
26	Spring
27	Spring Jacket-2
28	Pressur Cup
29	Rocker Nut Cap
30	Rocker Nut
31	Rocker
32	Motor Base
33	Carbon Bearing Set
34	C.t. Bearing
35	Lower Housing
36	Bearing Bush
37	C.s.k Screw (use For C.t. Bearing)